



7390 Salem Road | Northville, MI 48168  
 PH: 800-929-3845 | 248-349-6565  
 FX: 248-349-8992  
 Sales@aaanchorbolt.com

Date: \_\_\_\_\_

Customer Name: \_\_\_\_\_

Order #: \_\_\_\_\_

PO #: \_\_\_\_\_

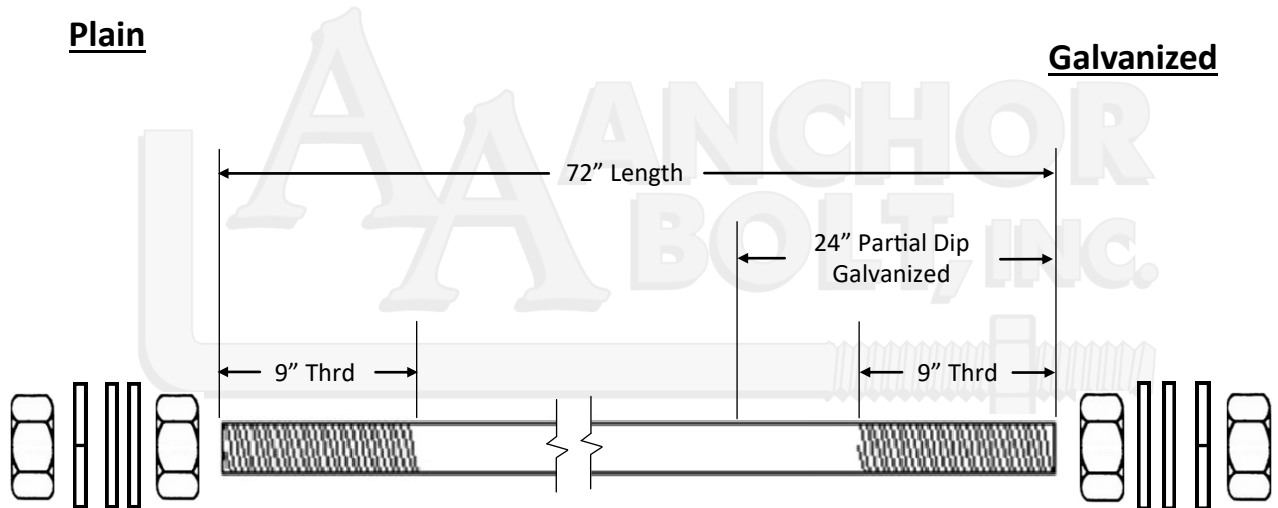
## STRAIN POLE

MDOT 1 3/4" - 5 F1554 Grade 105

Domestic, Rolled Threads

Plain

Galvanized



- (2) 2H Hex Nuts
- (2) F436 Washers
- (1) F436 Lock Washer

- (2) Galv. 2H Hex Nuts
- (2) Galv. F436 Washers
- (1) Galv. F436 Lock Washer

Quantity: \_\_\_\_\_

ADDITIONAL INFORMATION: